



Screwdriver Sockets

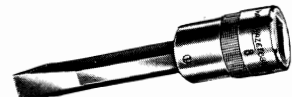
for slotted screws

Sockets CHROME-VANADIUM

Blades Special High Tensile Steel to withstand maximum stress

3/8

8803
8804



Blades detachable, steel grey
Sockets chrome-plated

Order-No.	mm	mm	L mm	D mm	g		complete	Blade only
8803 - 6	1	6	75	17,5	35	5		
8	1,2	8	80	17,5	50	5		
10	1,6	10	90	17,5	60	5		
Blade not detachable			Chrome-plated					
8804 - 17	2,8	17	38	18,0	50	5		2.70



Screwdriver Sockets

for Phillips Recess screws

Sockets CHROME-VANADIUM

Blades Special High Tensile Steel to withstand maximum stress

3/8

8806



Blades detachable, steel grey
Sockets chrome-plated

Order-No.	Tips DIN 5260 Size	Americ. No.	L mm	D mm	g		complete	Blade only
8806-2	2	5-10	50	17,5	35	5		
3	3	12-16	55	17,5	50	5		
4	4	18-<	60	17,5	60	5		

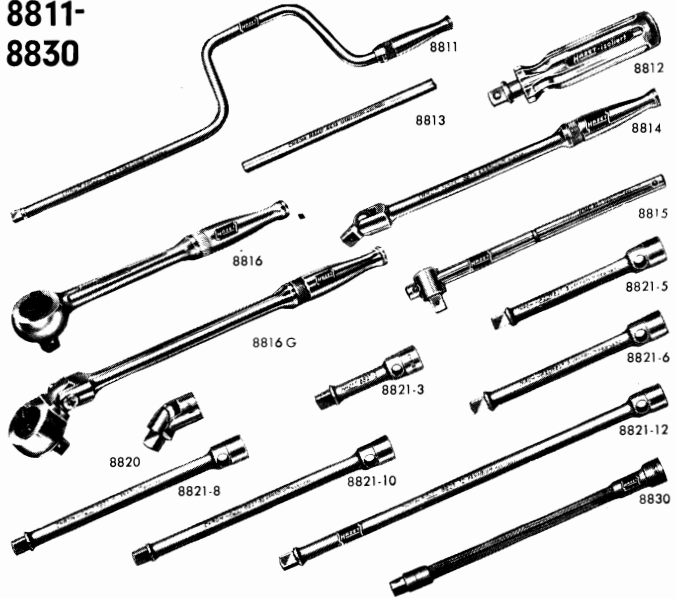


Accessories

CHROME-VANADIUM

3/8

8811-
8830



Chrome-plated bright heads

Order-No.		L mm	g	
8811	Speeder 18"	465	430	2
8812	Spin Type Speeder 5"	130	100	2
8813	Handle Bar 6"	150	60	5
8814	Flexible Handle 9 1/2"	240	260	2
8815	Sliding T-Handle 8"	200	150	2
8816	Reversible Ratchet 40 teeth, 8"	200	290	2
8816 E	Replacement for Ratched Head, compl.		100	2
8816 G	Reversible Ratchet with hinged joint 40 teeth, 11"	280	370	2

continued next column

(continued)

Order-No.		L mm	g	
8820	Universal Joint	50	80	2
8821 - 3	Extension 3"	75	60	2
5	Extension 5"	130	100	2
6	Extension 6"	150	120	2
8	Extension 8"	200	160	2
10	Extension 10"	250	190	2
12	Extension 12"	300	220	2
20	Extension 20"	500	375	2
28	Extension 28"	700	500	2
8830	Flexible Extension 8"	200	120	2



Socket Sets

CHROME-VANADIUM

6-Point Sockets

1/2

900-
906



Chrome-plated bright heads

Order-No.	Sockets	Accessories	g
900	12 13 14 15 16 17 18 19 20 21 22 23 24 26 27 28 30 32	911 915 916 S 917-5 918 920 980-13	5850
901	= 900	= 900 + 914-15	6750
904	= 900 + 10 11	= 900	6000
905	= 900 + 10 11	= 900 + 914-15	7000
906	10 11 12 13 14 15 17 19 22 24 27 30 32	911 915 916 S 918 920	5200
906 - 1	= 906	915 916S 917-5 918	4650



Socket Sets

CHROME-VANADIUM

12-Point Sockets

1/2

900 Z-
906 Z



Chrome-plated bright heads

Order-No.	Sockets	Accessories	g
900 Z	12 13 14 15 16 17 18 19 20 21 22 23 24 26 27 28 30 32	911 915 916 S 917-5 918 920 980-13	5850
901 Z	= 900Z	= 900Z + 914-15	6750
904 Z	= 900Z + 10 11	= 900Z	6000
905 Z	= 900Z + 10 11	= 900Z + 914-15	7000
906 Z	10 11 12 13 14 15 17 19 22 24 27 30 32	911 915 916 S 918 920	5200
906 - 1 Z	= 906 Z	915 916S 917-5 918	4650

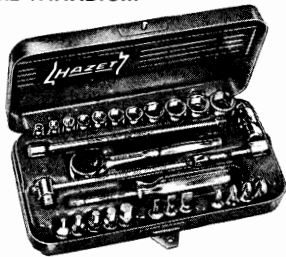


Socket sets CHROME-VANADIUM

1/4"

854

6-Point Sockets with screwdriver sockets for hex-head, slotted and Phillips Recess screws



Chrome-plated bright heads

Order-No.	Sockets	Accessories	g
854	850 - 4 5 6 7 8 9	863 865 866	600
	10 11 12 13 14	867 868 869	
	8501 - 3 4 5 6 8		
	8503 - 4 6 7		
	8506 - 1 2 3 4		



6-Point Sockets as per DIN 3124 CHROME-VANADIUM

1/4"

850



Chrome-plated bright heads



mm	A. F.	H mm	D mm	T mm	g	
4		25	6,4	13	5	10
4,5		25	7,0	13	5	10
5		25	8,0	13	5	10
5,5		25	8,5	13	5	10
6		25	9,0	13	5	10
7		25	10,3	13	10	10
8		25	11,6	13	10	10
9		25	13,0	13	15	10
10		25	14,0	13	15	10
11		25	15,6	13	25	10
12		25	16,8	13	25	10
13		25	18,0	13	25	10
14		25	19,0	13	30	10

850 A

3/16	25	7,5	13	10	10
7/16	25	8,6	13	10	10
1/4	25	9,5	13	10	10
9/32	25	10,5	13	10	10
5/16	25	11,6	13	10	10
11/32	25	12,6	13	15	10
3/8	25	13,6	13	15	10
7/16	25	15,6	13	20	10
1/2	25	17,6	13	25	10
9/16	25	19,4	13	30	10

850 BA

BA	H mm	D mm	T mm	g	
8 BA	25	6,2	13	5	10
7 BA	25	6,8	13	5	10
6 BA	25	7,8	13	5	10
5 BA	25	8,6	13	5	10
4 BA	25	9,4	13	5	10
3 BA	25	10,5	13	10	10
2 BA	25	12,0	13	10	10
1 BA	25	13,3	13	15	10
0 BA	25	15,0	13	15	10



8-Point Sockets as per DIN 3124 CHROME-VANADIUM

1/4"

850 AK



Chrome-plated bright heads

mm	A. F.	H mm	D mm	T mm	g	
6		25	12,4	13	12	10
1/4		25	12,4	13	12	10
5/16		25	14,0	13	15	10
3/8		25	15,8	13	20	10



Screwdriver Sockets for hollow hex head screws CHROME-VANADIUM

1/4"

8501



Chrome-plated bright heads

Order-No.	S mm	L mm	D mm	g	
8501 - 3	3	28	11	10	5
4	4	28	11	10	5
5	5	28	11	11	5
6	6	28	11	11	5
8	8	28	11	15	5



Screwdriver Sockets for slotted screws CHROME-VANADIUM

1/4"

8503



Chrome-plated bright heads

Order-No.	mm	mm	L mm	D mm	g	
8503 - 4	0,6	4	28	11	8	5
6	1,0	6	28	11	9	5
7	1,2	7	28	11	9	5
9	1,6	9	28	11	11	5



Screwdriver Sockets for Phillips Recess screws CHROME-VANADIUM

1/4"

8506



Chrome-plated bright heads

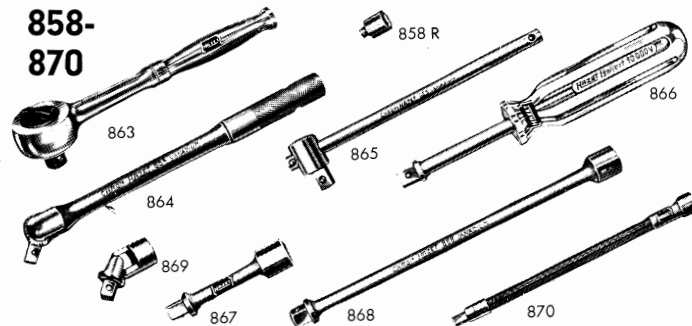
Order-No.	Tips DIN 5260 Size	Americ. No.	L mm	D mm	g	
8506 - 1	1	2-4	28	11	8	5
2	2	5-10	28	11	9	5
3	3	12-16	28	11	9	5
4	4	18-<	28	11	11	5



Accessories CHROME-VANADIUM

1/4"

858-870



Chrome-plated bright heads

Order-No.	Description	L mm	g	
858 R-1	Socket-Adapter converts 3/8" drive to 1/4"	31	15	10
858 R-2	Socket-Adapter converts 1/4" drive to 3/8"	35	20	10
863	Reversible Ratchet 4 1/2"	110	70	5
863 E	Replacement for Ratchet Head, complete		20	5
864	Flexible Handle 6"	150	90	5
865	Sliding T-Handle 5"	130	30	10
866	Spin Type Speeder 5"	130	45	5
867	Extension 2"	50	15	10
868	Extension 6"	150	40	10
869	Universal Joint	35	20	10
870	Flexible Extension 6"	150	55	10

(not intended for breaking nuts loose)

3/8

Screwdriver Bits
Sockets CHROME-VANADIUM
Blades Special High Tensile Steel
to withstand maximum stress

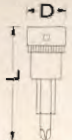


for Phillips Recess screws

8806



3/8



Blades detachable, steel grey, Sockets chrome-plated

No.	Tips DIN 5280 Size	Americ. No.	L mm	D mm	g	Box
8806-2	2	5-10	50	17,5	35	5
3	3	12-16	55	17,5	50	5
4	4	18->	60	17,5	60	5

Blades for 8806

No.	for	L mm	g	Box
8806-020	8806-2	33	10	1
030	3	37	15	1
040	4	43	20	1



for POZIDRIV screws

8807 PZD



3/8



Blades steel grey, Sockets chrome-plated

No.	Size	L mm	D mm	g	Box
8807 PZD-1	1	46	17,5	35	5
2	2	46	17,5	50	5
3	3	46	17,5	60	5



for XZN screws

8808



3/8



Blades steel grey, Sockets chrome-plated

No.	M	L mm	D mm	g	Box
8808-5	5	46	17,5	37	5
6	6	46	17,5	42	5
8	8	46	17,5	46	5
8Lg	8	95	17,5	57	5
10	10	46	18,5	57	5
10Lg	10	95	18,5	68	5



for RIBE CV screws

8809



3/8



Blades steel grey, Sockets chrome-plated

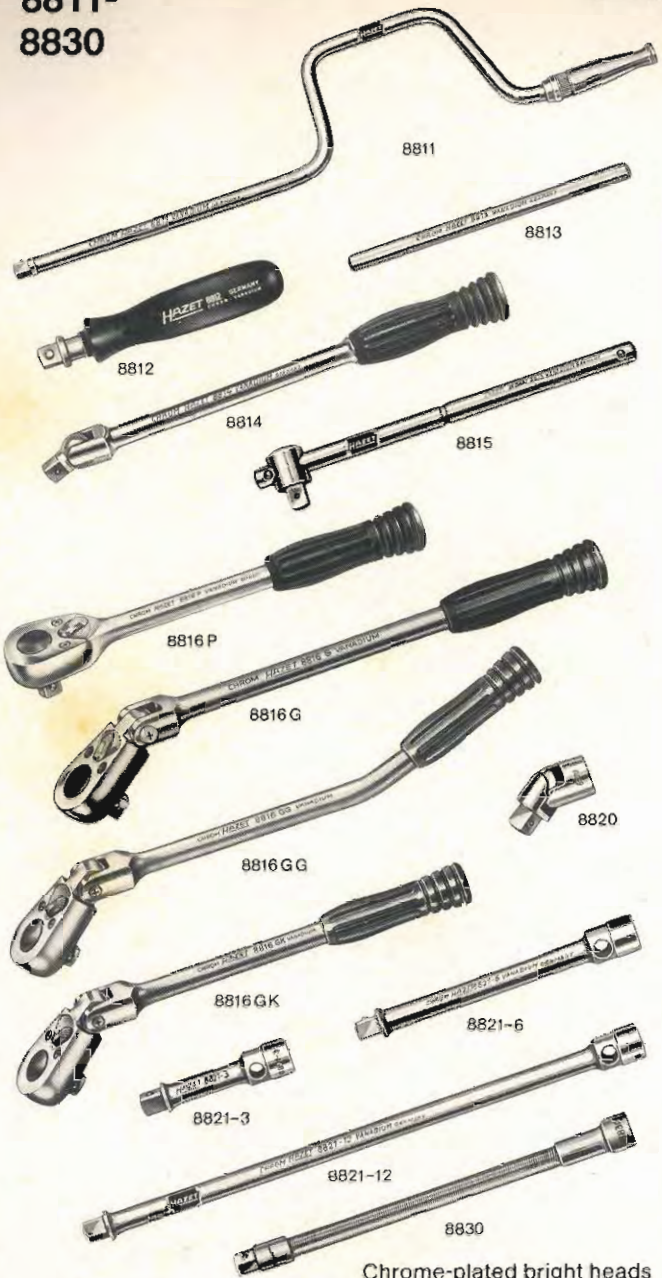
No.	M	L mm	D mm	g	Box
8809-5	5	56	17,5	37	5
6	6	56	17,5	42	5
8	8	56	17,5	46	5
10	10	56	18,5	57	5



Accessories
CHROME-VANADIUM

3/8

8811-8830



Chrome-plated bright heads

No.	Description	L mm	g	Box
8811	Speeder 18"	465	430	2
8812	Spin Type Speeder 5"	130	100	5
8813	Handle Bar 6"	150	60	5
8814	Flexible Handle 10"	250	260	5
8815	Sliding T-Handle 8"	200	150	5
8816P	Reversible Ratchet 40 teeth, with black plastic handle	200	290	5
8816G	ditto, with hinged joint, straight	280	370	1
8816GG	ditto, with hinged joint, bent	280	370	1
8816GK	ditto, with hinged joint, but short pattern, straight	220	300	1
(Spare parts for ratchets see page 77)				
8820	Universal Joint	50	80	5
8821-3	Extension 3"	75	60	5
5	Extension 5"	130	100	5
6	Extension 6"	150	120	5
8	Extension 8"	200	160	5
10	Extension 10"	255	190	5
12	Extension 12"	305	220	5
20	Extension 20"	510	375	5
28	Extension 28"	710	500	5
8830	Flexible Extension 8"	200	120	5



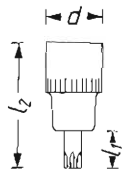
Screwdriver Bits

Sockets Chrome-Vanadium
Blades Special High Tensile Steel
for XZN screws,
chrome-plated, blades steel grey

8808



3/8



No.	M	l ₁ mm	l ₂ mm	d mm	g	Box
8808-5	5	13,5	40	19	40	10
6	6	13,5	40	19	40	10
8	8	14,5	41	19	40	10
10	10	14,5	42	19	50	10

continued



Screwdriver Bits

Sockets Chrome-Vanadium
Blades Special High Tensile Steel
for XZN screws,
long pattern,
chrome-plated, blades steel grey

8808

Lg



3/8



No.	M	l ₁ mm	l ₂ mm	d mm	g	Box
8808 Lg-8	8	62	88	19	60	10
10	10	63	93	19	85	10

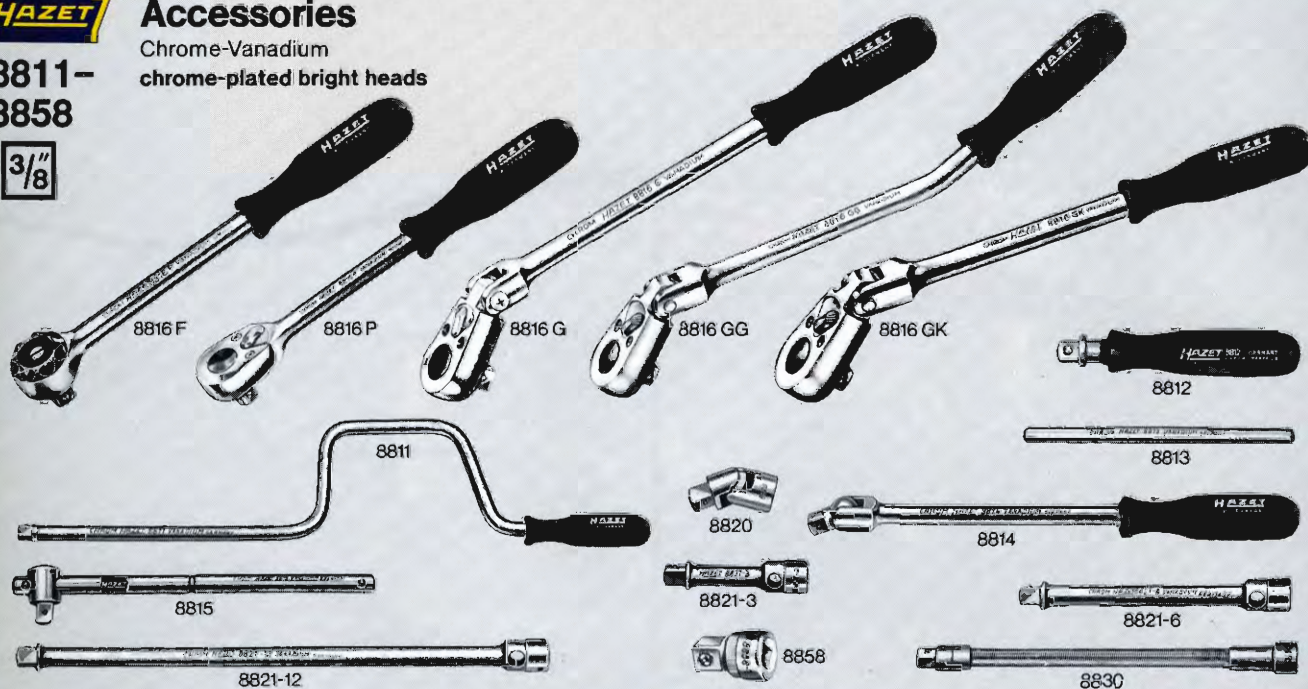


Accessories

Chrome-Vanadium
chrome-plated bright heads

8811-
8858

3/8



No.		l mm	g	Box
8811	Speeder 16.1/2" with the new HAZET-ergonomic® plastic handle, DIN 3122, ISO 3315	420	400	2
8812	Spin Type Speeder 5.1/4"	135	100	5
8813	Handle Bar 6"	150	55	10
8814	Flexible Handle 10" with the new HAZET-ergonomic® plastic handle	250	200	5
8815	Sliding T-Handle 8" DIN 3122, ISO 3315	200	155	5
8816 F	Reversible Ratchets with the new HAZET-ergonomic® plastic handle (protected by design patent)			
8816 F/5	Fine-Tooth Reversible Ratchet 8", 72 teeth, DIN: 3122, ISO 3315	200	250	5
8816 G	Reversible Ratchet 11", 30 teeth, with hinged joint straight	280	310	5
8816 GG	ditto, 10.1/2", with hinged joint, bent	270	315	5
8816 GK	ditto, 8.1/2", with hinged joint, short pattern, straight	215	280	5
8816 P	Reversible Ratchet 8", 30 teeth	200	220	5

No.		l mm	g	Box
8816 P/8	Repair Set for 8816 G, 8816 GG, 8816 GK, 8816 P	-	75	1
8816 P/7	ditto, without Ratchet wheel	-	55	1
8816 P-02	Ratchet wheel	-	20	1
8816 G-013	Repair Set for hinged joint on 8816 G, 8816 GG, 8816 GK	-	10	1
8820	Universal Joint 2", DIN 3123, ISO 3316	50	55	10
	Extensions DIN 3123, ISO 3316,			
8821-3	3"	75	65	10
8821-5	5"	130	105	10
8821-6	6"	150	120	10
8821-8	8"	200	150	10
8821-10	10"	255	190	10
8821-12	12"	305	230	10
8821-20	20"	510	370	10
8821-28	28"	710	510	5
8830	Flexible Extension 8.1/4"	210	130	10
8858-1	Adapter 3/8" □, 1/2" ■	36	60	10
8858-2	ditto 3/8" □, 1/4" ■	27	20	10